



# Solo Telescopic Side Rail Installation & User Guide



# Contents

1. Explanations of Symbols	2
2. Installation and Commissioning	3
3. Operation of Telescopic Side Rails	10
4. Safety Instructions	11
5. General Information	12
6. Technical Specification	13
7. Guarantee	14
8. Opera Warranty Terms and Conditions	14

# 1. Explanations of Symbols



Read information with this symbol carefully and urgently follow instructions.  
This information is safety-relevant.

---



This symbol indicates general hazards. There is danger to life and health.

---



This product must be disposed of in a separate refuse collection in the European Union. Do not dispose of as normal domestic waste.

---



Read instructions.

---

## 2. Installation and Commissioning

### 2.1 Contents

(A) Telescopic Split Side Rail x 4\*



(B) Security Pin x 8



(C) Fixing Bar x 2\*



(D) Fixing Bar Bolt & Nut x 8\*



(E) Telescopic Side Rail Bolt & Locking Nut x 16



**Before you begin, you will also need:**

- Wall space with a plug socket nearby
- Tools: Two adjustable spanners and an allen key

\*These are packed together in a separate box

1

## Place parts to one side

Unpack the two boxes and place the parts to one side.

This includes the following parts:

(A) Telescopic Split Side Rail x 4

(B) Security Pin x 8

(C) Fixing Bar x 2

(D) Fixing Bar Bolt & Nut x 8

(E) Telescopic Side Rail Bolt & Locking Nut x 16



2

## Position the bed

Remove any accessories (mattress, grab rail, bedding) from the bed and brake the castors.

Raise the bed to a safe working height by using the bed platform height adjustment function on the handset (please refer to the Solo Profiling Bed Installation and User Guide Version 2 on how to do this).

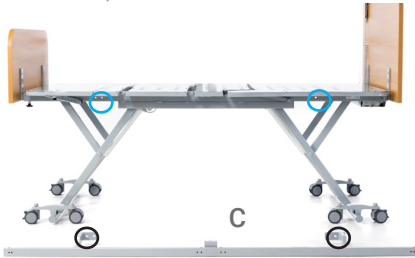
3

## Attach the fixing bar

With two people, lift the fixing bar (C) and bring it towards the undercarriage of the bed, make sure that the L plate of the fixing bar (the plate in the middle of the bar which has two holes in) is facing upwards.

Line up the fixing bar holes (circled black) at both ends of the bar to the chassis fixing bar holes (circled blue) at the head and foot ends of the chassis. Insert a fixing bar bolt (D) through the fixing bar hole and chassis fixing bar hole. Using a spanner, hold the head of the bolt firmly in place and use a second spanner to secure the end of the bolt in place with a nut. Fully tighten the nut to the chassis. Repeat this for all four bolts.

Fixing bar holes (circled black) on the fixing bar and the chassis fixing bar holes (circled blue)



Chassis fixing bar holes (circled)



Fixing bar bolted to the chassis



Lined up fixing holes

4

## Assemble the split side rails

Place the split side rails (A) face up (as per the photos below). Pull down the aluminium sheaths at both ends of the split side rail over the grey plastic inserts (caution: the inserts have been greased). Insert the security pins (B) through the small holes (circled) in the front and the back of the sheath at both ends.

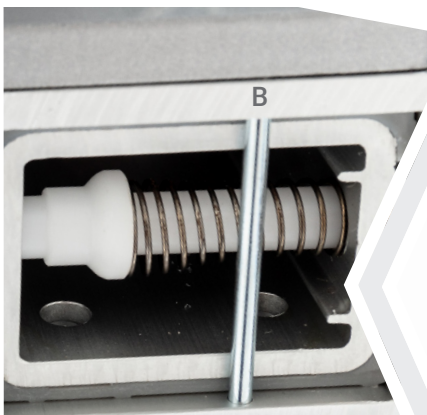
Pull the sheaths back over the grey plastic inserts and repeat these steps for each of the split side rails.

Split side rail facing up

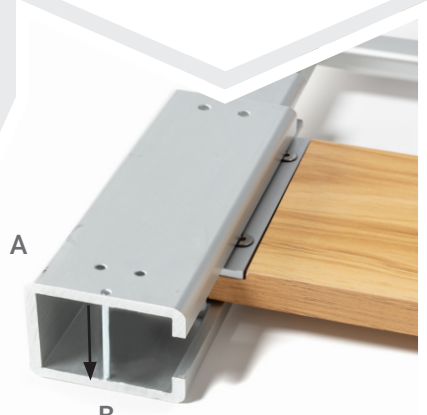


A

Aluminium sheath pulled down



Aluminium sheath pulled up with pin in place



A

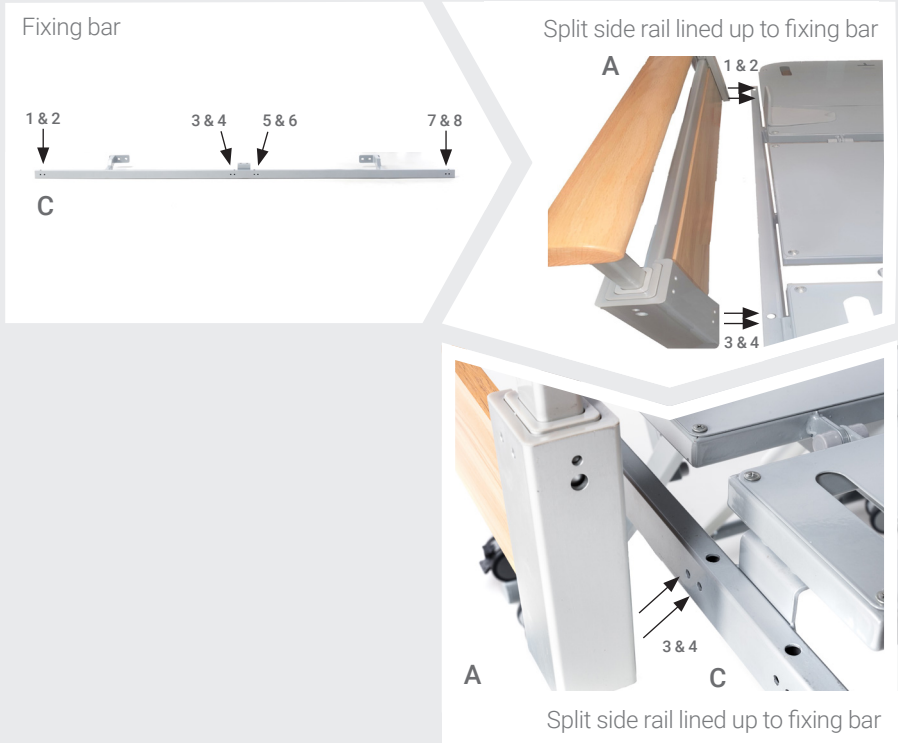
B

Security pin inserted

5

## Line up the split side rails to the fixing bar

There are 8 holes in the side of the fixing bar (see labelled photo below), with two people lift up and line up two holes in an aluminium sheath of a split side rail (A) to two holes at the foot end of the fixing bar (C). The holes in the aluminium sheaths of the split side rail should line up to holes, 1, 2, 3 and 4 on the fixing bar.





6

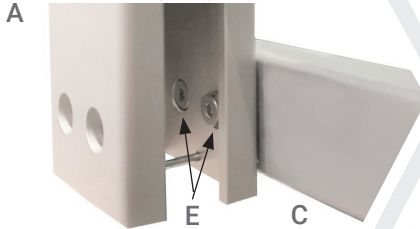
## Attach the split side rails to the fixing bar

When a split side rail has been lined up, insert a telescopic side rail bolt (E) through the holes in the aluminium sheath and into the holes of the fixing bar. Using an Allen key and a spanner, secure the bolt in place with a locking nut (E) making sure to fully tighten to the fixing bar.

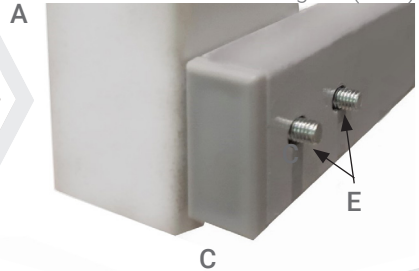
Repeat for other side of the split side rail. Repeat steps 5 and 6 for all other split side rail halves.

**⚠ Take care to not drop the split side rail as it is being fixed in place.**

Bolts inserted through the sheath and the fixing bar (front)



Bolts inserted through the sheath and the fixing bar (back)



Solo Profiling Bed with all split side rails attached



Bolts secured with locking nuts



7

## Confirm compliance

Mattresses used with the Opera Solo Telescopic Side Rails must meet the following requirements:

- The split side rail height from the top of the mattress in an uncompressed condition and the top upper edge of the side rail must be a minimum of 220mm.



### 3. Operation of the Telescopic Side Rails

To lift up the split side rails, pull in both of the grey sliders (circled) that are under the side rail at the same time. Slowly lift until an audible click is heard.



To lower down the split side rails, pull in both of the sliders at the same time and carefully lower by pushing down gently.



-  The split side rails are designed to only prevent the occupant from falling out of the bed. Leaning or climbing on the split side rail may result in injury.
-  When the split side rails are in the highest position, ensure that they are securely locked in to place. Failing to do this may result in injury.

# 4. Safety Instructions

## 4.1 General Safety Instructions



During the briefing, specific attention must be drawn to any potential dangers the first time, the instruction manual must be read conscientiously and in detail by the user / care personnel.

Any incidents or issues must be reported to Opera at, [support@opera-care.co.uk](mailto:support@opera-care.co.uk)



Do not use a mattress that is not compatible with the bed and the split side rails. Incompatible mattresses can result in creating entrapment risks and hazards, which may result in injury. Always conform to the compliance instructions.



The maximum working load must not be exceeded, otherwise safe operation cannot be guaranteed (please refer to the technical data).

Do not modify any equipment, this will void the Terms Conditions and Warranty and may compromise the safety of the bed and accessories.



The side rails have been designed in accordance with IEC 60601-2-52 to reduce entrapment risks and falls. When the side rails are used, the following instructions must be adhered to ensure compliance with IEC 60601-2-52:

- Do not allow children to use the split side rails, this may result in entrapment, injury or asphyxiation.
- Do not operate the split side rails if they are damaged.
- The split side rails are designed to be used to help prevent falls from the care bed, they are not designed to be leaned or climbed on, doing this may result in injury.
- Carry out checks of the fixings once a month to ensure that the split side rails are being used safely and are securely fixed to the bed.
- Only suitably instructed personnel can operate the split side rails safely.
- Lower the split side rails slowly and take care not to let them drop down.
- Do not lower or lift the split side rails from inside of the bed.
- The side rail height from the top of the mattress in an uncompressed

condition must be at least 220mm, not conforming to this may result in entrapment and injury.

- The split side rails only provide protection against rolling out of the care bed if the backrest and lower leg adjustments are in the horizontal position.
- Always conduct a risk assessment to ensure that the side rails are suitable for use.
- Always lower the split side rail down when getting in and out of the bed.

# 5. General Information

## 5.1 Intended Use

The Opera Solo Telescopic Side Rails are intended for use with the Opera Solo Beds. The split side rails are designed to help prevent occupants from falling/rolling out of bed, they are not designed to be climbed, leaned on or used for children. They may only be used under the conditions for use described in this instruction manual.

## 5.2 Non-intended Use

A non-intended use is a use that deviates from the intended purpose and is not outlined in the instruction manual.

Non-intended uses include, but are not limited to the following:

- Using the split side rails for use with children.
- Using the split side rails with a bed other than the Opera Solo beds.
- Making modifications to the split side rails.
- Using the split side rails for leaning and climbing on.
- Using the split side rails with an incompatible mattress.

## 5.3 Service Life & Disposal

The service life of the Telescopic Side Rails is dependent upon the manner of use. Frequent transportation, setting up and adjustment reduce the service life, as does improper treatment, and exceeding the safe working load. The Telescopic Side Rails must not be disposed of as normal domestic



waste after the end of its service life. Contact your local waste recycling facility for further instructions on safe disposal.

## 6. Technical Specifications

### 6.1 Technical Data

Telescopic Split Side Rail	
Length	970mm/37.8"
Weight	5kg/7.9lbs
Height (Lowest & Highest)	110mm/4.3" to 425mm/16.7"
Safe working load (SWL)	75Kg/11st 8lb

### 6.2 Technical Data (Environmental)

Temperature range during operation	5°C - 40°C
Temperature range for storage/ transport	-10°C - 50°C
Humidity of the air for storage/transport	20% - 90% at 30°C
Air pressure for storage/transport	700 - 1060 hPa

## 7. Guarantee

As stated in the Standard Terms and Conditions, below, Opera provides a manufacturers warranty of 1 year for the Telescopic Side Rails.

## 8. Opera Warranty Terms and Conditions

### 8.1 Warranty Terms

**8.1.1** Subject to the terms and conditions set out below, Opera agrees to repair or replace the product within the United Kingdom at its own cost, and any Opera accessory supplied with it, purchased by you from Opera. In circumstances where the product does not perform in accordance with Opera's specifications during the warranty period, commencing on the date of delivery (or deemed delivery) of the product.

**8.1.2** This contractual product warranty does not operate to limit rights

### 8.2 Warranty Conditions

**8.2.1** Proof of purchase (invoice) must be provided when requesting service under warranty.

under the statutory warranties referred to in clause 8.3.1 below.

**8.2.2** Opera requires any customer requesting service under the warranty to comply with directions from Opera staff in relation to troubleshooting any issue and facilitating any repair or replacement under these Warranty Terms and Conditions.

## 8. Warranty Terms and Conditions

**8.2.3** The customer is responsible for inspecting all goods received from Opera upon arrival. In instances where goods have been damaged in transit, the customer must report this to Opera within 3 working days of receipt of the product. Failure to report physical damage on arrival within three working days of receipt may result in denial of warranty for physical damage.

**8.2.4** Opera reserves the right to replace the product or relevant part with the same or equivalent product or part, rather than repair it. Where a replacement is provided, Opera will determine, in its discretion, the closest product within the current range of products offered by Opera with which to replace the faulty or damaged product. The replacement product may differ with the replaced product in size and specifications, at the reasonable election of Opera. Opera may replace parts with refurbished parts. Replacement of the product or a part under the warranty does not extend or restart the warranty period.

**8.2.5** If Opera is unable to repair or replace the product, the customer will be provided with credit for Opera products or may be refunded the price of the product (at Operas election). This credit or refund will be for the amount of the purchase price of the product, excluding the associated delivery cost.

**8.2.6** In the event that a replacement, refund, or store credit is provided as per section 8.2.5, the faulty item will become the property of Opera.

**8.2.7** Opera may seek reimbursement of any costs incurred by you where the product is found to be in good working order.

**8.2.8** Opera reserves reasonable discretion to determine whether any product is or is not performing in accordance with Opera specifications, subject to applicable law.



## 8.3 General

**8.3.1** Legislation may imply warranties or conditions or imposes obligations on Opera, which cannot be excluded, restricted or modified in relation to consumer goods.

**8.3.2** To the full extent permitted by law, but subject always to clause 8.3.1, the warranty will not apply in respect of a product:

**(a)** If the product has not been installed, operated, maintained or used in accordance with the Opera instructions or specifications provided with the product;

**(b)** If the factory-applied serial number has been altered or removed from the product;

**(c)** To damage, malfunction or failure resulting from alteration, accident, misuse, abuse, fire, liquid spillage, mis-adjustment of customer controls, use on an incorrect voltage, power surges and dips, thunderstorm activity, force majeure, voltage supply problems, tampering or unauthorised repairs by an persons, use of defective or incompatible accessories, exposure to abnormally corrosive conditions or entry by any insect, vermin or foreign object in the product.

**(d)** To damage arising during transportation, installation or while moving the product or to any transportation costs of the product or any parts thereof to and from the customer, unless otherwise specified in these warranty terms and conditions;

**(e)** To any third-party software or hardware not contained in the product as originally configured by Opera.

**(f)** To any failure, to the extent that the failure is not a failure of the product to perform in accordance with its specifications.

## 8. Warranty Terms and Conditions

**(g)** To service of any product whilst it is outside the United Kingdom.

**8.3.3** To the full extent permitted by law, but subject always to clause 8.3.1:

**(a)** Opera will not be liable for any loss, damage or alterations to third party products, no matter how occurring; or for any loss or damage arising from loss of use, loss of profits or revenue, or for any resulting indirect or consequential loss of damage.

**(b)** Opera's aggregate liability in respect of all claims under the warranty shall not exceed the original purchase price of the product or, at Opera's option, the replacement of the product with a like or similar product.

**(c)** Opera excludes all other warranties, conditions, terms, representations and undertakings whether express or implied.

# Notes



## **Opera Care**

Azure House, Connaught Road,  
Kingswood, Hull. HU7 3AP

0333 222 8584

[support@opera-care.co.uk](mailto:support@opera-care.co.uk)

[opera-care.co.uk](https://opera-care.co.uk)

Version 1 | Published January 2021